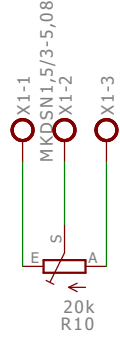
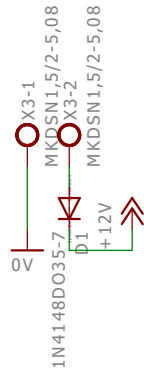


TO PROC
HEEL SENSOR SIM SIGNALS

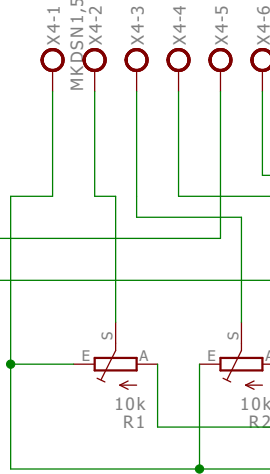


POWER SUPPLY

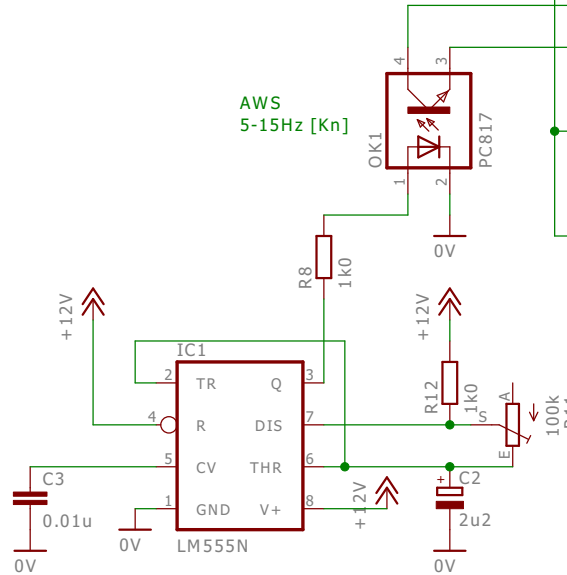


TO PROC
MHU SIM SIGNALS

213 ORAGNE
213 GREEN
213 RED
213 BLUE
213 VIOLET
213 BLACK

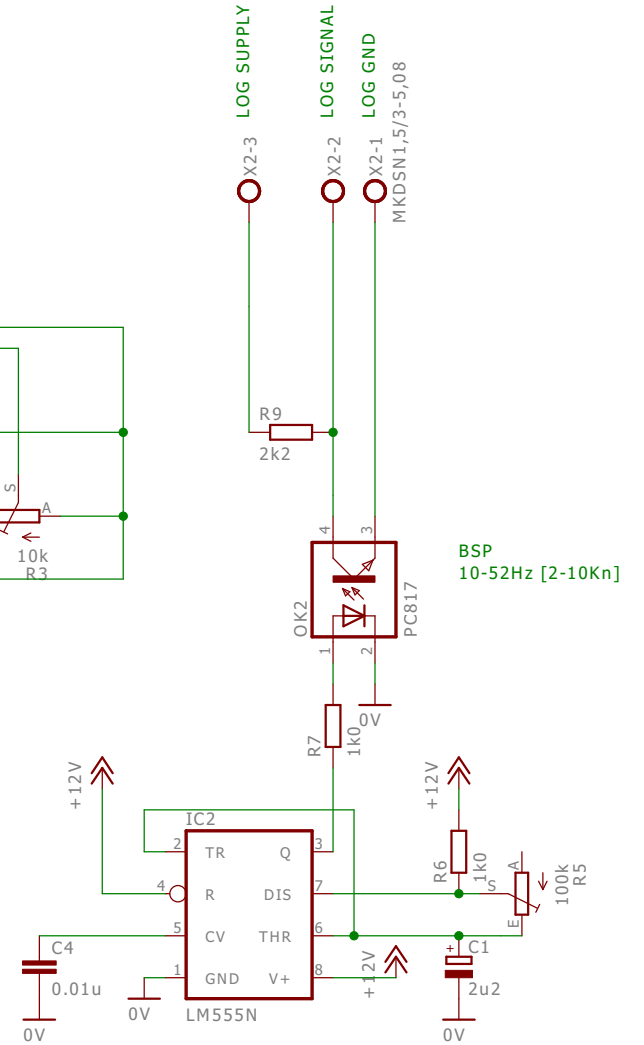


AWS
5-15Hz [Kn]



$$f = 1.44 / ((100k + 2 * 1k) / 2.2uF) = 6.4Hz$$

BSP
10-52Hz [2-10Kn]



B&G H2000 Interface Simulator

TITLE: B&G SIM

Document Number:

REV:
R1

Date: 12.07.2017 15:05

Sheet: 1/1